

Mini Sentry G2 Directions

Use only .22 caliber starting pistol blanks

Never place your hand or body parts below the bell. (exhaust chamber)

Do not use near explosive or flammable products

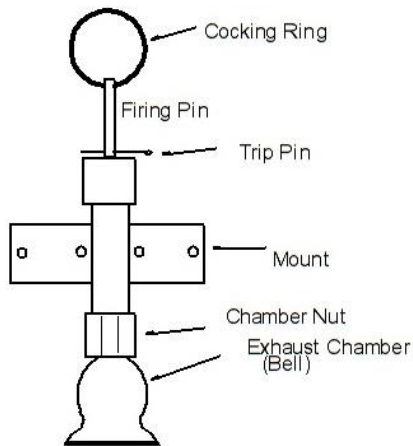
Do not use or place near children

Do not dry fire

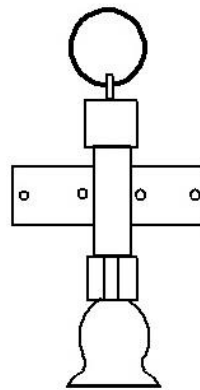
User assumes all risk

Follow all directions

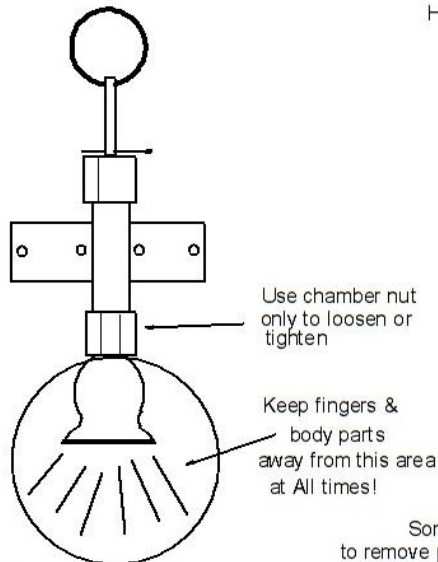
Do not alter this product



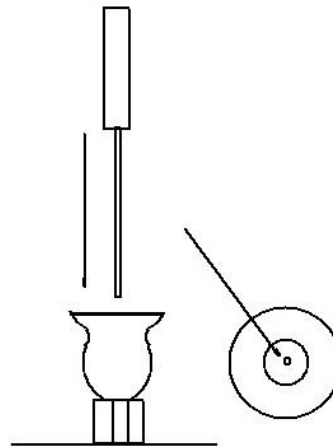
*Mini Sentry must be upright as shown to work properly



Load: Lower firing pin grasp mount & remove bell using chamber nut. keep fingers above bell!
 Insert blank & finger tighten with chamber nut and mount. Hold mount and set pin



This area produces flames high pressure gases and noise Do NOT put near body parts!



Some blanks will expand in the chamber to remove place the chamber on a hard surface and tap out with a blunt instrument (a common #8 machine screw works well) (A nail with a blunt end also works well)